

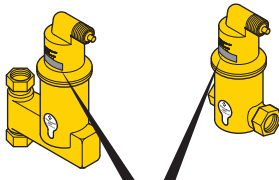



**Mounting and operating instruction**


For article no's starting with AA....FBA08



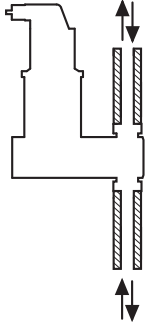
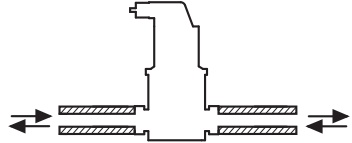
18.158\_04






 0- ... bar


 0- ... °C

Acc.PED (2014/68/EU §4.3)


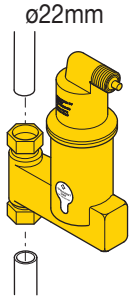






H<sub>2</sub>O




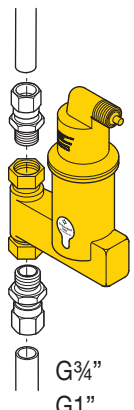
20% < glycol < 50%


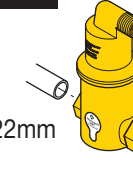
ø22mm




 0 bar




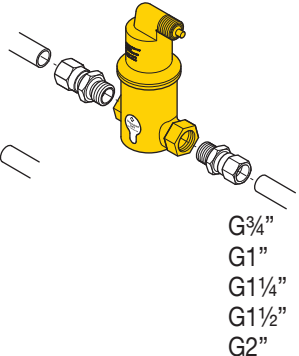
G $\frac{3}{4}$ "  
G1"


ø22mm




 0 bar



G $\frac{3}{4}$ "  
G1"  
G1 $\frac{1}{2}$ "  
G2"



 Pmax = 1,5 x ... bar

